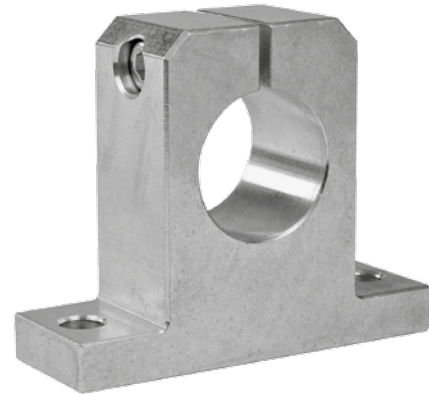
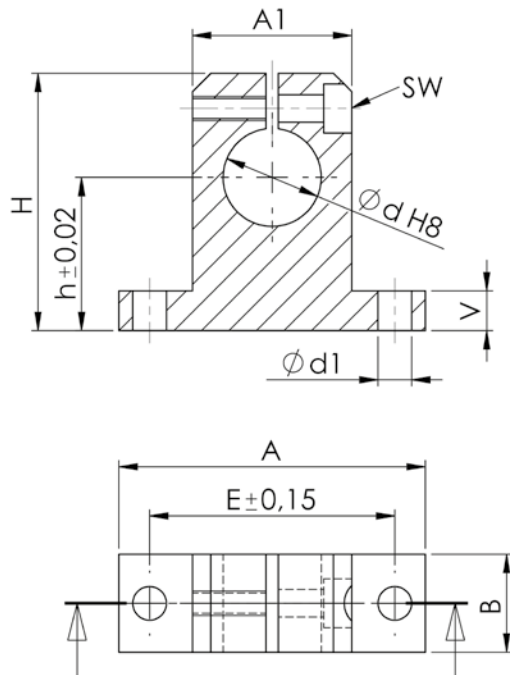


# Wellenbock KWB55

Standard - Wellenbock  
AL-Legierung



Teile-Nr.	Abmessungen in mm										Gewicht
	d	H	h	A	A1	B	E	d1	V	SW	
KWB55-08	8	27	15	32	16	10	25	4,5	5,0	2,5	0,01
KWB55-12	12	35	20	42	20	12	32	5,5	5,5	3,0	0,02
KWB55-16	16	42	25	50	26	16	40	5,5	6,5	3,0	0,05
KWB55-20	20	50	30	60	32	20	45	5,5	8,0	3,0	0,08
KWB55-25	25	58	35	74	38	25	60	6,6	9,0	4,0	0,14
KWB55-30	30	68	40	84	45	28	68	9,0	10,0	5,0	0,20
KWB55-40	40	86	50	108	56	32	86	11,0	12,0	6,0	0,36
KWB55-50	50	100	60	130	80	40	108	11,0	14,0	6,0	0,73
KWB55-60	60	124	75	160	100	48	132	13,5	15,0	8,0	1,30
KWB55-80	80	160	100	200	130	60	170	17,5	22,0	10,0	2,75