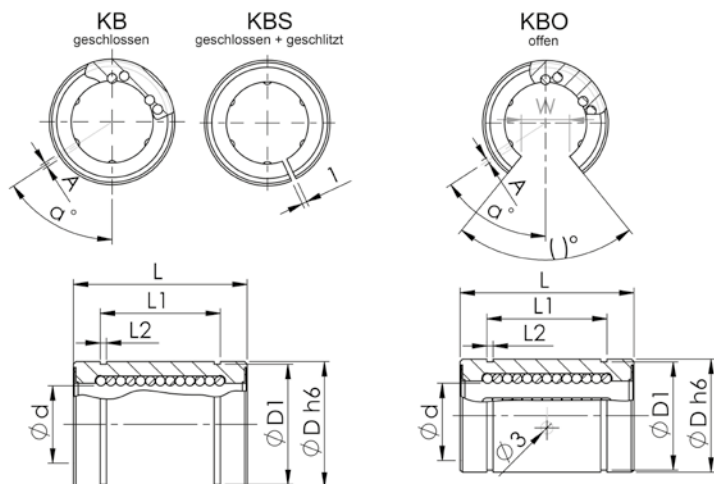


Linearkugellager KB



offen und geschlossen
Massiv - Baureihe



| Teile-Nr.: | | | Abmessungen in mm | | | | | | | | | | | Tragzahlen in N | | | Gewicht |
|------------------------|--|---|-------------------|----|-----|------|------|------|-----|----|------|-----|------|-----------------|------|--|---------|
| Artikel konserviert | Artikel erstbefettet beidseitig abgedichtet | Artikel erstbefettet beidseitig abgedichtet nachschrimerbar | d | D | L | L1 | L2 | D1 | A | a° | W | (°) | dyn. | stat. | g | | |
| | | | | | | | | | | | | | | | | | |
| KB12 | KB12-PP | KB12-PP-AS | 12 | 22 | 32 | 22,6 | 1,30 | 21,0 | | | | | 640 | 570 | 40 | | |
| KBS12 | KBS12-PP | KBS12-PP-AS | 12 | 22 | 32 | 22,6 | 1,30 | 21,0 | 1,5 | 64 | | | 640 | 570 | 40 | | |
| KBO12 | KBO12-PP | KBO12-PP-AS | 12 | 22 | 32 | 22,6 | 1,30 | 21,0 | 1,5 | 64 | 7,7 | 78 | 600 | 445 | 30 | | |
| KB16 | KB16-PP | KB16-PP-AS | 16 | 26 | 36 | 24,6 | 1,30 | 24,9 | | | | | 840 | 780 | 50 | | |
| KBS16 | KBS16-PP | KBS16-PP-AS | 16 | 26 | 36 | 24,6 | 1,30 | 24,9 | 2,0 | 64 | | | 840 | 780 | 50 | | |
| KBO16 | KBO16-PP | KBO16-PP-AS | 16 | 26 | 36 | 24,6 | 1,30 | 24,9 | 2,0 | 64 | 10,1 | 78 | 800 | 620 | 40 | | |
| KB20 | KB20-PP | KB20-PP-AS | 20 | 32 | 45 | 31,2 | 1,60 | 30,3 | | | | | 1660 | 1570 | 90 | | |
| KBS20 | KBS20-PP | KBS20-PP-AS | 20 | 32 | 45 | 31,2 | 1,60 | 30,3 | 2,0 | 52 | | | 1660 | 1570 | 90 | | |
| KBO20 | KBO20-PP | KBO20-PP-AS | 20 | 32 | 45 | 31,2 | 1,60 | 30,3 | 2,0 | 52 | 10,0 | 60 | 1600 | 1280 | 70 | | |
| KB25 | KB25-PP | KB25-PP-AS | 25 | 40 | 58 | 43,7 | 1,85 | 37,5 | | | | | 2950 | 2850 | 190 | | |
| KBS25 | KBS25-PP | KBS25-PP-AS | 25 | 40 | 58 | 43,7 | 1,85 | 37,5 | 2,5 | 53 | | | 2950 | 2850 | 190 | | |
| KBO25 | KBO25-PP | KBO25-PP-AS | 25 | 40 | 58 | 43,7 | 1,85 | 37,5 | 2,5 | 53 | 12,5 | 60 | 2850 | 2300 | 150 | | |
| KB30 | KB30-PP | KB30-PP-AS | 30 | 47 | 68 | 51,7 | 1,85 | 44,5 | | | | | 3800 | 3600 | 300 | | |
| KBS30 | KBS30-PP | KBS30-PP-AS | 30 | 47 | 68 | 51,7 | 1,85 | 44,5 | 2,5 | 55 | | | 3800 | 3600 | 300 | | |
| KBO30 | KBO30-PP | KBO30-PP-AS | 30 | 47 | 68 | 51,7 | 1,85 | 44,5 | 2,5 | 55 | 13,6 | 54 | 3700 | 3000 | 240 | | |
| KB40 | KB40-PP | KB40-PP-AS | 40 | 62 | 80 | 60,3 | 2,15 | 59,0 | | | | | 6400 | 5600 | 600 | | |
| KBS40 | KBS40-PP | KBS40-PP-AS | 40 | 62 | 80 | 60,3 | 2,15 | 59,0 | 3,0 | 54 | | | 6400 | 5600 | 600 | | |
| KBO40 | KBO40-PP | KBO40-PP-AS | 40 | 62 | 80 | 60,3 | 2,15 | 59,0 | 3,0 | 54 | 18,2 | 54 | 6100 | 4600 | 520 | | |
| KB50 | KB50-PP | KB50-PP-AS | 50 | 75 | 100 | 77,3 | 2,65 | 72,0 | | | | | 9200 | 8000 | 1000 | | |
| KBS50 | KBS50-PP | KBS50-PP-AS | 50 | 75 | 100 | 77,3 | 2,65 | 72,0 | 4,0 | 54 | | | 9500 | 8000 | 1000 | | |
| KBO50 | KBO50-PP | KBO50-PP-AS | 50 | 75 | 100 | 77,3 | 2,65 | 72,0 | 4,0 | 54 | 22,7 | 54 | 8900 | 6600 | 850 | | |

- Die Tragzahlen gelten nur bei gehärteten (670 HV + 170 HV) und geschliffenen Wellenlaufbahnen und sind max. Werte