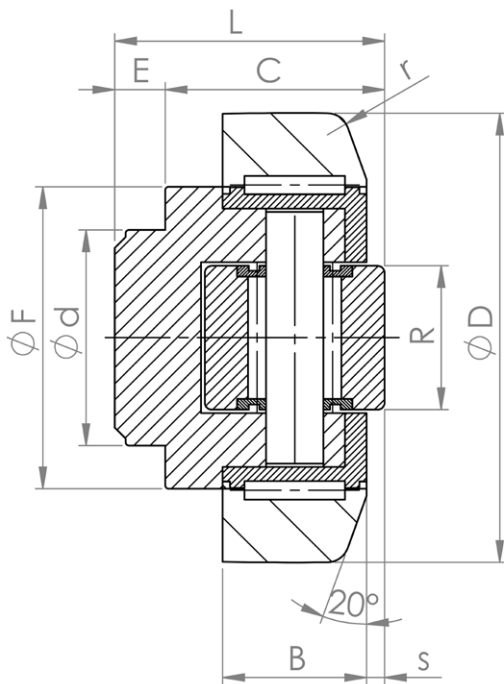


fest



für:
U - Profile Standard nb
U - Profile Präzision nb

nachschmierbar ab $\varnothing D = 77,7$ mm

RS = Lippendichtung
Z = Labyrinthdichtung

Für U-Profile Standard nb

Bezeichnung	$\varnothing d_b$ -0,05	$\varnothing D$	L	B	C	E	$\varnothing F$	R	r	s	Gewicht in kg	Profil U-Standard...	Tragzahlen in kN			
													dynamisch C_{radial}	$C_{A axial}$	statisch $C_{O radial}$	$C_{OA axial}$
4HT053-RS	30	52,5	33,0	17	27,0	6,0	40	15	2,0	5,0	0,36	HT-S	24,5	6	32,5	6
4HT054-62,0-RS	30	62,0	37,5	20	30,5	7,0	42	20	3,0	2,5	0,50	HT0-nb	31,0	11	35,5	11
4HT054-62,5-RS	30	62,5	37,5	20	30,5	7,0	42	20	3,0	2,5	0,53	HT0-nb	31,0	11	35,5	11
4HT055-70,1-RS	35	70,1	44,0	23	36,0	8,0	48	22	4,0	2,5	0,78	HT1-nb	45,5	13	51,0	14
4HT056-Z	40	77,7	48,0	23	36,5	11,5	54	26	4,0	3,0	1,02	HT2-nb	48,0	18	56,8	18
4HT058-88,4-Z	45	88,4	57,0	30	44,0	13,0	59	26	4,0	3,5	1,61	HT3-nb	68,0	23	72,0	23
4HT058-88,9-Z	45	88,9	57,0	30	44,0	13,0	59	26	4,0	3,5	1,62	HT3-nb	68,0	23	72,0	23
4HT061-Z	60	107,7	69,0	31	55,0	14,0	71	34	5,0	4,0	2,82	HT4-nb	81,0	31	95,0	36
4HT062-Z	60	123,0	72,3	37	56,0	16,3	80	40	5,0	5,0	3,90	HT5-nb	110,0	43	132,0	50
4HT063-Z	60	149,0	78,5	45	58,5	20,0	103	50	3,0	5,5	6,52	HT6-nb	151,0	68	192,0	71

Für U-Profile Präzision nb, gefräst mit eingegengten Toleranzen

Bezeichnung	$\varnothing d_b$ -0,05	$\varnothing D$	L	B	C	E	$\varnothing F$	R	r	s	Gewicht in kg	Profil U-...	Tragzahlen in kN			
													dynamisch C_{radial}	$C_{A axial}$	statisch $C_{O radial}$	$C_{OA axial}$
Pr-4HT054-RS	30	64,8	37,5	20	30,5	7,0	42	20	3,0	2,5	0,55	Pr-HT0-nb	31,0	11	35,5	11
Pr-4HT055-RS	35	73,8	44,0	23	36,0	8,0	48	22	4,0	2,5	0,83	Pr-HT1-nb	45,5	13	51,0	14
Pr-4HT056-Z	40	81,8	48,0	23	36,5	11,5	54	24	4,0	3,0	1,09	Pr-HT2-nb	48,0	18	56,8	18
Pr-4HT058-Z	45	92,8	57,0	30	44,0	13,0	59	26	4,0	3,5	1,68	Pr-HT3-nb	68,0	23	72,0	23
Pr-4HT061-Z	60	111,8	69,0	31	55,0	14,0	71	34	5,0	4,0	2,94	Pr-HT4-nb	81,0	31	95,0	36
Pr-4HT062-Z	60	127,8	72,3	37	56,0	16,3	80	40	5,0	5,0	4,10	Pr-HT5-nb	110,0	43	132,0	50
Pr-4HT063-Z	60	153,8	78,5	45	58,5	20,0	103	50	3,0	5,5	6,80	Pr-HT6-nb	151,0	68	192,0	71